

MIPRO[®]

User Guide

MP-80

3-in-1 Transmitter Charger Station



MIPRO[®]
MICROPHONE PROFESSIONALS

MIPRO Electronics Co., Ltd

Headquarters : 814 Pei-Kang Road, Chiayi, 60096, Taiwan
Tel : +886.5.238.0809 Fax : +886.5.238.0803
www.mipro.com.tw mipro@mipro.com.tw

All rights reserved. MN 014/05

Do not copy or forward without prior approvals MIPRO.

Specifications and design subject to change without notice.



2 CE5 16 A

Contents

- 1 Profile
- 3 Controls and Indicators
- 5 Charging Methods
- 7 Charging Instructions
- 9 Multiple charging stations

Profile

The MP-80 is a new generation of charging station designed exclusively for MIPRO rechargeable transmitters.

Each station has two charging slots. Each slot has a 3-in-1 charging design, enabling multiple charging options:

- Two handheld transmitters
- Two bodypack transmitters
- Two ICR18500 lithium batteries
- One handheld & one bodypack transmitter
- One handheld transmitter & one ICR18500
- One bodypack transmitter & one ICR18500

Each station also provides two storage slots for 2 spare ICR18500 lithium batteries. Precise charging status with red (charging) & green (charged) indicators for easy reading by the users. Multiple charging stations can be easily connected for more charging options.

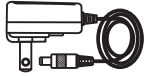
Accessories

The following accessories are included:

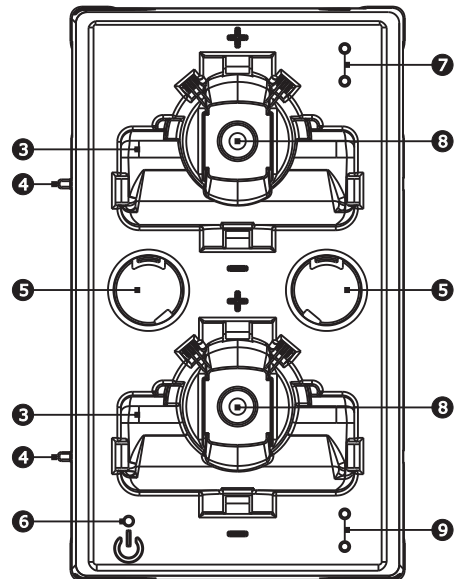
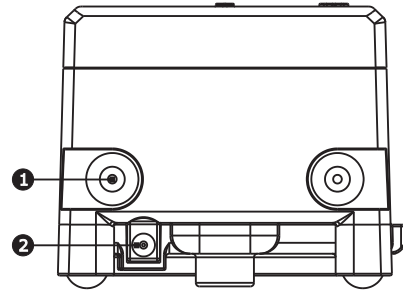
User Guide x 1



Switching Power Cable x 1



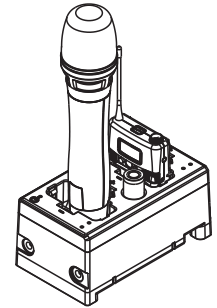
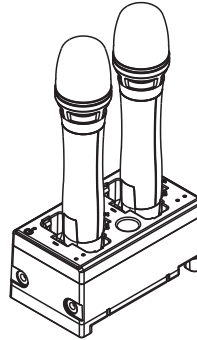
Controls and Indicators



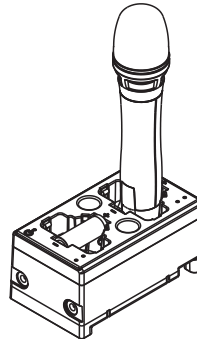
- ❶ **Screw Holes.**
- ❷ **DC Power Jack:** Connect 10V ~ 15V DC power input jack; center electrode connected to the positive voltage.
- ❸ **Charger Slots:** Handhelds, Bodypacks, ICR 1800 Batteries.
- ❹ **Multiple Chargers Connecting Points.**
- ❺ **Lithium Battery Charger Slots:** ICR 1800 Battery.
- ❻ **Power Indicator:** Indicator is lit when power plug is plug-in.
- ❼ **Charging Indicator:** Charging (red) indicator.
- ❽ **Bottom Screw Holes:** Fasten two screws will stabilize & fix MP-80 firmly onto a table top.
- ❾ **Charged Indicator:** Charging (green) indicator.

Charging Methods

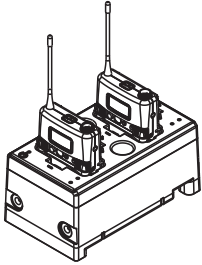
- 2 Handhelds
- 1 Handheld 1 Bodypack



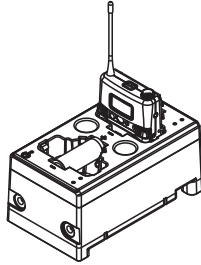
- 1 Handheld 1 ICR1850



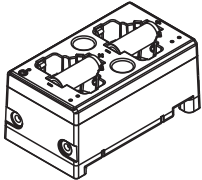
- 2 Bodypacks



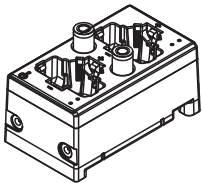
- 1 Bodypack 1 ICR18500



- 2 ICR18500

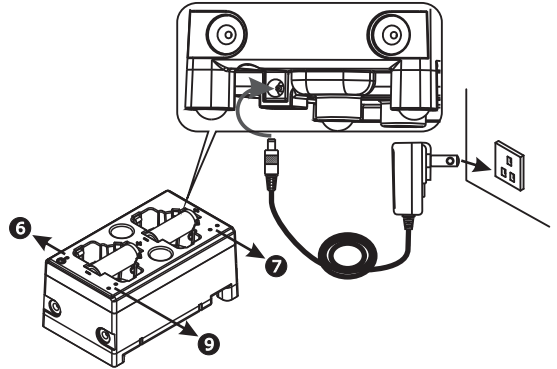


- 2 ICR1800 Storage



Charging Instructions

- Power indicator **6** is lit when it is plug-in. Red indicator **7** denotes charging status. Green indicator **9** denotes charged status.



Notes and Precautions

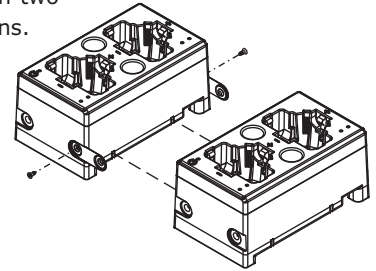
- Be sure to use the included MIPRO charger to avoid inadequate voltage or current. Ensure input supply voltage must not exceed a specified value to avoid damages to the charger, rechargeable batteries and transmitters. MIPRO power supply has switching power output 12V/1A.
- Power off the charger before charging.
- Do not use other brands' charger, to avoid possible danger.

Please Note:

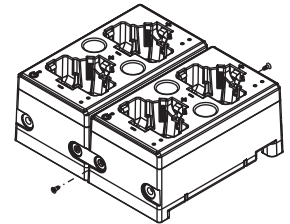
MIPRO assumes no liability for problems that occur when the Notes and Precautions for use listed above are not followed.

Multiple charging stations

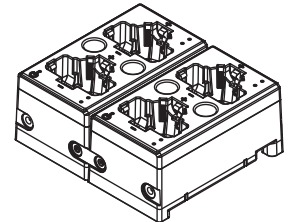
- Align connecting plates between two charger stations.



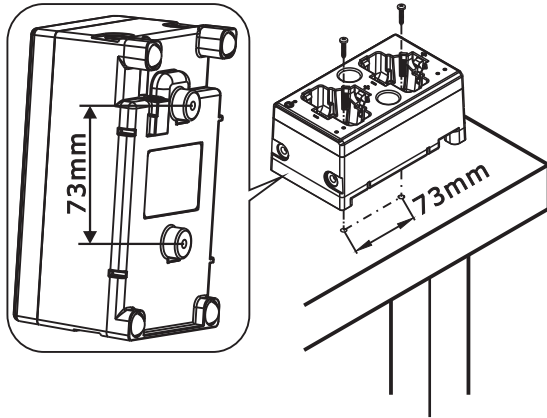
- Fasten screws for a fixed dual charger stations.



- Multiple charging stations can be easily connected for more charging options.



- Fasten two screws into the two bottom slots will stabilize & fix MP-80 firmly onto a table top.



Notes

- Refer to actual product in the event of product description discrepancy.

FC & IC - ID

THIS DEVICE COMPLIES WITH PART74 OF THE FCC RULES AND RSS-123 ISSUE 2 OF CANADA. OPERATION IS SUBJECT TO THE FOLLOWING TWO CONDITIONS:

- (1) This device may not cause interference.
- (2) This device must accept any interference, including interference that may cause undesired operation of the device. This equipment complies with FCC RF radiation exposure limits set forth for an uncontrolled environment.

Le présent appareil est conforme aux CNR d'Industrie Canada applicables aux appareils radio

exempts de licence. L'exploitation est autorisée aux deux conditions suivantes :

- (1) l'appareil ne doit pas produire de brouillage, et
- (2) l'utilisateur de l'appareil doit accepter tout brouillage radioélectrique subi, même si le brouillage est susceptible d'en compromettre le fonctionnement.

Disposal Dispose of any unusable devices or batteries responsibly and in accordance with any applicable regulations.



2006-08-13

Disposing of used batteries with domestic waste is to be avoided!

Batteries / NiCad cells often contain heavy metals such as cadmium(Cd), mercury(Hg) and lead(Pb) that makes them unsuitable for disposal with domestic waste. You may return spent batteries/ accumulators free of charge to recycling centres or anywhere else batteries/accumulators are sold.

By doing so, you contribute to the conservation of our environment!